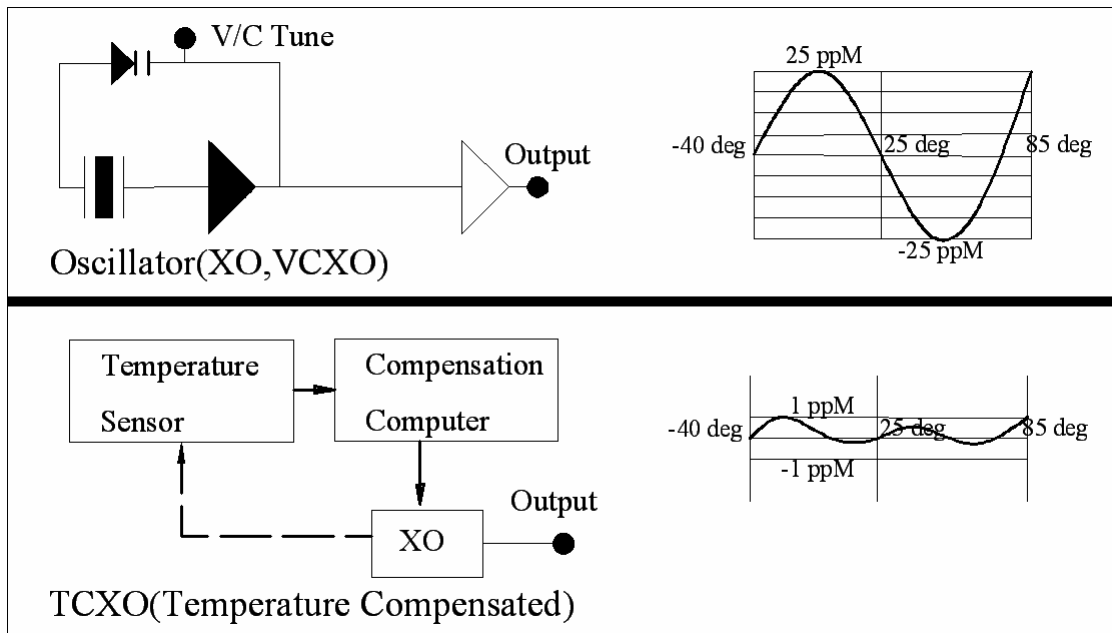


Oscillator Categories

A wide temperature range XO has a typical f vs. Temp stability of 10~50ppM. A TCXO can reduce that to 1ppM. An OCXO can reduce that stability to 1×10^{-8} or better. But the cost of much higher power consumption. High end (SC-cut) OCXO can stay within 1×10^{-10} over a wide temperature range.



For additional Information, Pleas Contact

IMTECH Co., Ltd.
4F, Sincere B/D, 332-34, Gocheon-Dong, Uiwang-City
Kyunggi-Do, Korea.
Tel 82-459-5197 Fax 82-31-459-5198